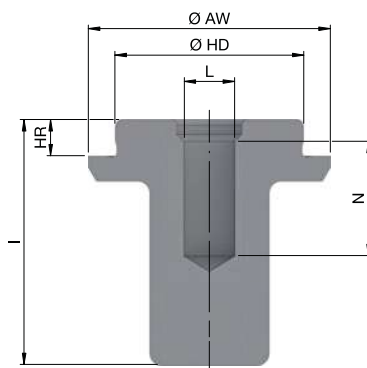


# DOCKLOCK ZERO-POINT CLAMPING SYSTEM

## Clamping bolts

### Clamping bolt size 20 safe / autosafe. Technical data

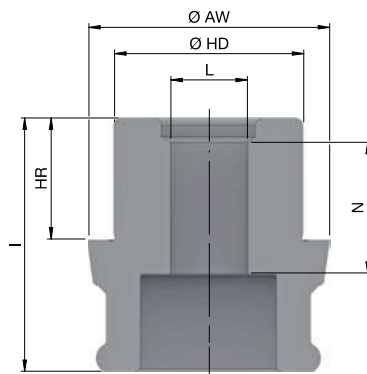


Size	<b>20</b>									
Total length [mm]	<b>32,45</b>					<b>46,65</b>				
Type	C		B		N	C		B	N	
Compensation function	No		Yes			No		Yes	No	
Centering function	Yes		No			Yes			No	
Suitable for air blast cleaning	No	Yes				No	Yes			
Length 2 [mm]	HR	4,8				19				
Outer Ø [mm]	AW	32			30	32			30	
Outer Ø 2 [mm]	HD					25				
Thread size [M]	L					8				
Thread length [mm]	N					15				
Two-Part	No		Yes		No					
Weight [kg]						0,1				
In stock	✓	✓	✓	✓	✓	✓	✓	✓	✓	✓
Material no.	10020674	10020676	10020680	10020820	10020678	10020673	10020675	10020679	10020677	

# DOCKLOCK ZERO-POINT CLAMPING SYSTEM

## Clamping bolts

### Clamping bolt size 20 airline / autoairline. Technical data

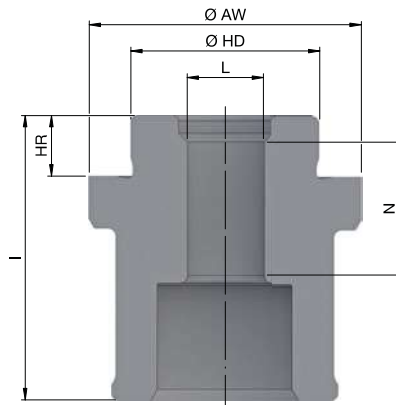


Size		<b>20</b>					
Total length [mm]	I	<b>22,3</b>			<b>33,5</b>		
Type		C	B	N	C	B	N
Compensation function		No	Yes	No	No	Yes	No
Centering function		Yes	No	Yes	Yes	No	No
Suitable for air blast cleaning		Yes			Yes		
Length 2 [mm]	HR	4,8			16		
Outer Ø [mm]	AW	32		30	32		30
Outer Ø 2 [mm]	HD	25			25		
Thread size [M]	L	12			12		
Thread length [mm]	N	12,5			17,3		
Two-Part		No			No		
Weight [kg]		0,1			0,1		
In stock		✓	✓	✓	✓	✓	✓
Material no.		10020691	10020693	10020692	10020688	10020690	10020689

# DOCKLOCK ZERO-POINT CLAMPING SYSTEM

## Clamping bolts

### Clamping bolt size 30 safe. Technical data

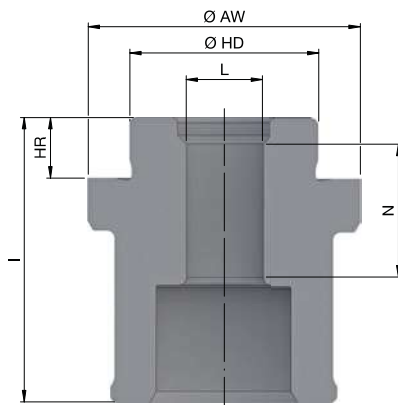


<b>Size</b>	<b>30</b>		
<b>Total length [mm]</b>	<b>I</b>	<b>37,6</b>	
Type	<b>C</b>	<b>B</b>	<b>N</b>
Compensation function	No	Yes	No
Centering function	Yes	No	
Suitable for air blast cleaning	Yes		
Length 2 [mm]	HR	8	
Outer Ø [mm]	AW	36	34,5
Outer Ø 2 [mm]	HD	25	
Thread size [M]	L	12	
Thread length [mm]	N	18	
Two-Part	No		
Weight [kg]	0,2		
In stock	✓	✓	✓
Material no.	10020682	10020684	10020683

# DOCKLOCK ZERO-POINT CLAMPING SYSTEM

## Clamping bolts

### Clamping bolt size 30 autosafe. Technical data

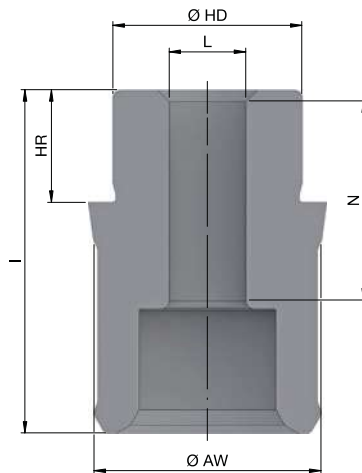


Size	<b>30</b>					
Total length [mm]	<b>38,5</b>			<b>45,4</b>		
Type	C	B	N	C	B	N
Compensation function	No	Yes	No	No	Yes	No
Centering function	Yes	No	Yes	Yes	No	No
Suitable for air blast cleaning	Yes			Yes		
Length 2 [mm]	HR	8		14,9		
Outer Ø [mm]	AW	30	28,9	30	28,9	
Outer Ø 2 [mm]	HD	25				
Thread size [M]	L	12				
Thread length [mm]	N	18		25		
Two-Part				No		
Weight [kg]				0,2		
In stock	✓	✓	✓	✓	✓	✓
Material no.	10020764	10020767	10020765	10020695	10020697	10020696

# DOCKLOCK ZERO-POINT CLAMPING SYSTEM

## Clamping bolts

### Clamping bolt size 30 autosafe tapered. Technical data

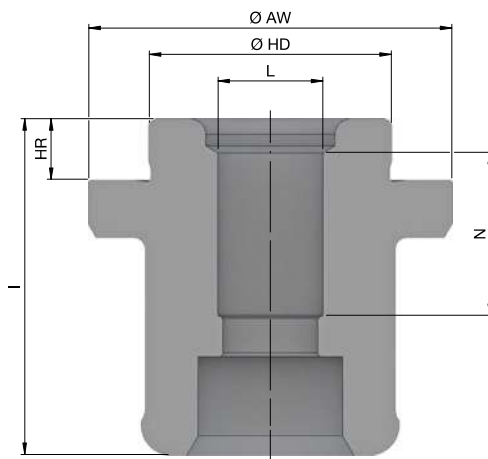


<b>Size</b>		<b>30</b>
<b>Total length [mm]</b>	I	<b>45,4</b>
Suitable for air blast cleaning		Yes
Length 2 [mm]	HR	14,9
Outer $\varnothing$ [mm]	AW	30
Outer $\varnothing 2$ [mm]	HD	25
Thread size [M]	L	12
Thread length [mm]	N	25
Weight [kg]		0,2
In stock		✓
Material no.		10020694

# DOCKLOCK ZERO-POINT CLAMPING SYSTEM

## Clamping bolts

### Clamping bolt size 50 safe. Technical data



Size	<b>50</b>		
<b>Total length [mm]</b>	I	<b>44,4</b>	
Type	C	B	N
Compensation function	No	Yes	No
Centering function	Yes	No	
Suitable for air blast cleaning	Yes		
Length 2 [mm]	HR	8	
Outer Ø [mm]	AW	48	46,5
Outer Ø 2 [mm]	HD	32	
Thread size [M]	L	16	
Thread length [mm]	N	21,5	
Two-Part	No		
Weight [kg]	0,3		
In stock	✓	✓	✓
Material no.	10020685	10020687	10020686